

SEALEY

4-WAY ALUMINIUM SCAFFOLD LADDER EN 131

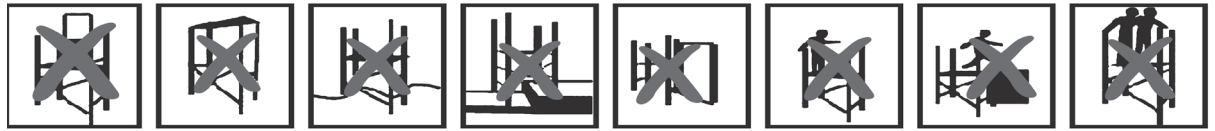
MODEL NO: ASCL2

Thank you for purchasing a Sealey product. Manufactured to a high standard, this product will, if used according to these instructions, and properly maintained, give you years of trouble free performance.

IMPORTANT: PLEASE READ THESE INSTRUCTIONS CAREFULLY. NOTE THE SAFE OPERATIONAL REQUIREMENTS, WARNINGS & CAUTIONS. USE THE PRODUCT CORRECTLY AND WITH CARE FOR THE PURPOSE FOR WHICH IT IS INTENDED. FAILURE TO DO SO MAY CAUSE DAMAGE AND/OR PERSONAL INJURY AND WILL INVALIDATE THE WARRANTY. KEEP THESE INSTRUCTIONS SAFE FOR FUTURE USE.



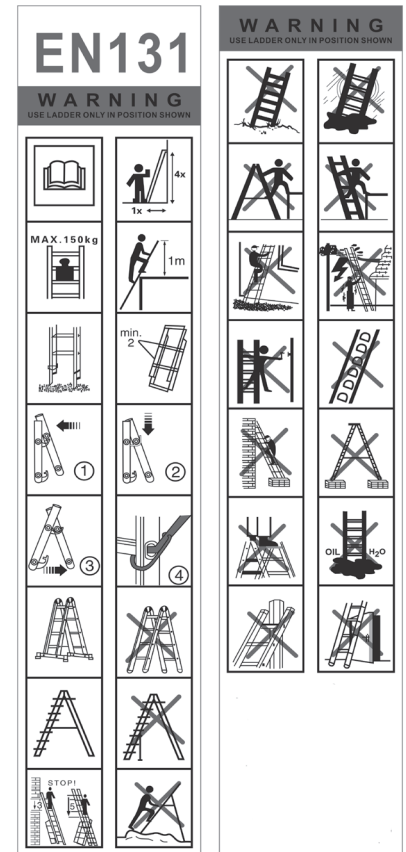
Refer to instruction manual



Work platform symbols

1. SAFETY

- ✓ Ensure Health and Safety and local authority regulations are adhered to when using this equipment.
 - ❑ **WARNING!** Risk of falling from the ladder.
 - ✓ Refer to instructions.
 - ✓ Inspect the ladder after delivery.
 - ✓ Before every use visually check the ladder is not damaged and is safe to use.
 - ✗ **DO NOT** use a damaged ladder.
 - ✓ Observe maximum total load 150kg.
 - ✗ **DO NOT** use the ladder on a unlevel or unfirm base.
 - ✗ **DO NOT** over reach.
 - ✗ **DO NOT** erect ladder on contaminated ground.
 - ✓ Observe maximum number of users.
 - ✗ **DO NOT** ascend or descend unless you are facing the ladder.
 - ✓ Keep a secure grip on the ladder when ascending or descending. Maintain a handhold whilst working from a ladder or take additional safety precautions if you cannot.
 - ✓ Avoid work that imposes a sideways load on ladders, such as side on drilling through solid materials.
 - ✗ **DO NOT** carry equipment which is heavy or difficult to handle whilst using a ladder.
 - ✗ **DO NOT** wear unsuitable footwear when climbing a ladder.
 - ✗ **DO NOT** use a ladder if you are not fit enough. Certain medical conditions or medication, alcohol or drug abuse could make ladder use unsafe.
 - ✗ **DO NOT** spend long periods on a ladder without regular breaks (tiredness is a risk).
 - ✓ Prevent damage of the ladder when transporting e.g. by fastening and, ensure they suitably placed to prevent damage.
 - ✓ Ensure the ladder is suitable for the task.
 - ✗ **DO NOT** use the ladder if contaminated, e.g. with wet paint, mud, oil or snow.
 - ✗ **DO NOT** use the ladder outside in adverse weather conditions, such as strong wind.
 - ✓ For professional use a risk assessment shall be carried out respecting the legislation in the country of use.
 - ✓ When positioning the ladder take into account risk of collision with the ladder e.g. from pedestrians, vehicles or doors. Secure doors (not fire exits) and windows where possible in the work area.
 - ❑ **WARNING! ELECTRICITY HAZARD**
 - ✓ Identify any electrical risks in the work area, such as overhead lines or other exposed electrical equipment and **DO NOT** use the ladder where electrical risks occur.
 - ✓ Use non-conductive ladders for unavoidable live electrical work.
 - ✗ **DO NOT** use the ladder as a bridge.
 - ✗ **DO NOT** modify the ladder design.
 - ✗ **DO NOT** move a ladder while standing on it.
 - ✓ For outdoor use caution to the wind.
 - ✓ If a ladder is delivered with stabiliser bars these bars should be fixed by the user before the first use, see assembly section overleaf.
 - ✓ Check if ladder is suitable for domestic/professional use.
- 1.1. SAFETY REQUIREMENTS FOR LEANING LADDERS**
- ✓ Leaning ladders with rungs shall be used at the correct angle.
 - ✓ Leaning ladders with steps shall be used so that the steps are in a horizontal position.
 - ✓ Ladders used for access to a higher level shall be extended at least 1 metre above the landing point and secured, if necessary.
 - ✗ **DO NOT** lean the ladder against unsuitable surfaces.
 - ✗ Ladder must never be moved from the top.
 - ✗ **DO NOT** stand on the top three steps/rungs of a leaning ladder.
- 1.2. SAFETY REQUIREMENTS FOR STANDING LADDERS**
- ✗ **DO NOT** step off the side of a standing ladder onto another surface.
 - ✓ Open the ladder fully before use.
 - ✓ Use the ladder with restraint devices engaged only.



- ✓ Standing ladders shall not be used as a leaning ladder unless it is designed to do so.
 - ✗ **DO NOT** stand on the top two steps/rungs of a standing ladder without a platform and a hand/knee rail.
- 1.3. SAFETY REQUIREMENTS FOR EXTENDING LADDERS**
- ✓ Check the extending ladder rung locking device before use.

2. INTRODUCTION

EN 131 Approved 4-way scaffold ladder. Two 6-rung aluminium ladders can be used as extending ladder, single ladders, step ladder or complete scaffolding unit. Supplied with hand rail.

3. SPECIFICATION

Model No:	ASCL2
Closed Length:	1670mm
Extension Ladder:	2700mm
Maximum Load:	150kg
Maximum Platform Height:	950mm
Maximum Width (across feet):	950mm
Platform Length:	1320mm
Step Ladder Height:	1600mm

4. ASSEMBLY

- 4.1. Bolt the foot cross members to the bottom of each ladder. The feet are already attached to the cross members. Refer to fig.1.

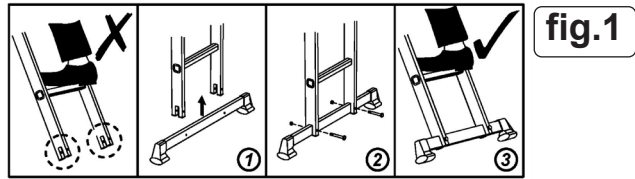


fig.1

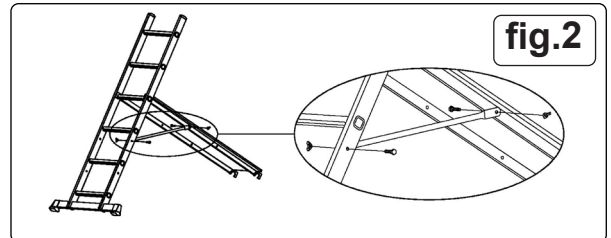


fig.2

4.2. WORK PLATFORM

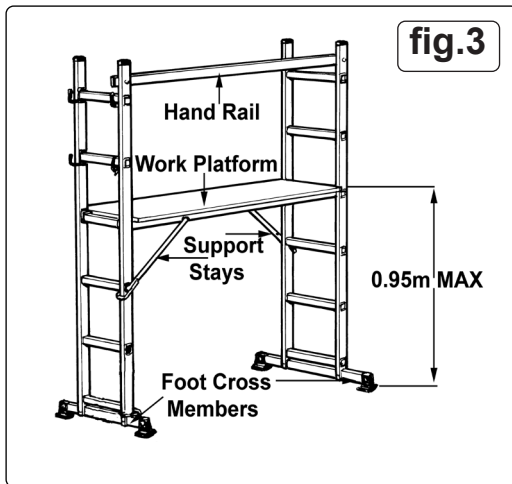


fig.3

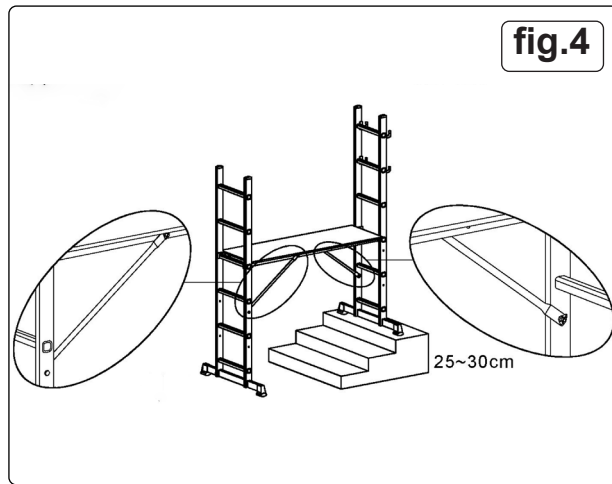
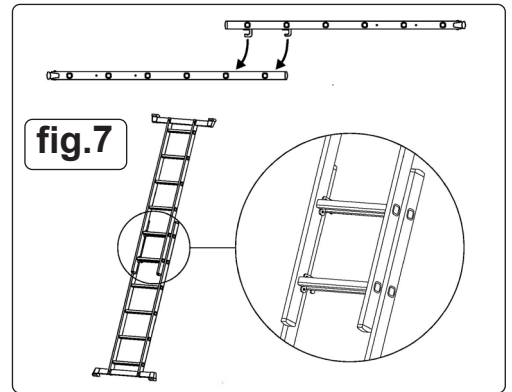
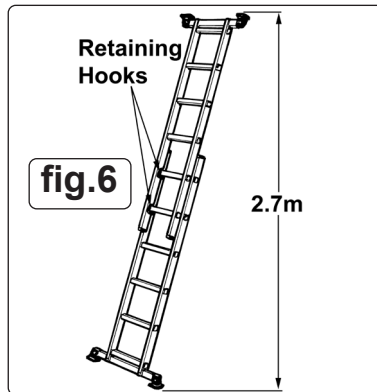
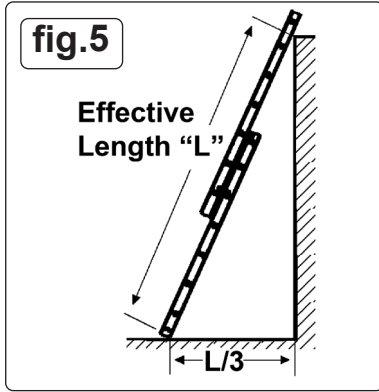


fig.4

- **WARNING!** Assembling the work platform is a two-man task.
- 4.2.1. Attach the platform, at the desired height, to one ladder only, fig.2.
 - Note:** Ensure that the hole for the hand rail is nearest to the outer face of the ladder.
- 4.2.2. Attach the support stay between the platform and the ladder by inserting it first into the platform and then attaching it to the ladder, fig.2.
- 4.2.3. Lift the platform assembly to the horizontal position and attach the second ladder.
 - Note:** Ensure that the hole for the hand rail is nearest to the outer face of the ladder.
- 4.2.4. Fit hand rail, fig.3.
 - **WARNING!** The platform height must not exceed **0.95 metres** for reasons of stability.
 - Note:** The maximum loading of the platform when assembled is **150kg**.
- 4.2.5. **STAIRWAY WORK PLATFORM**
 - **WARNING!** Assembling the stairway work platform is a two-man task.
 - 4.2.6. Bolt the foot cross members to the bottom of each ladder. The feet are already attached to the cross members, fig.1.
 - 4.2.7. Attach the stairway work platform, at the desired height, to the ground-based ladder.
 - 4.2.8. Attach the support stay between the stairway work platform and the ground-based ladder by inserting it first into the platform and then attaching it to the ladder, fig.2.
 - 4.2.9. Lift the other end of the work platform to the horizontal position and attach it to the second ladder, located on the upper step of the stairway.
 - 4.2.10. Attach the second support stay between the stairway ladder and the work platform, fig.2.
 - 4.2.11. The maximum height above the ground of the steps on which the stairway ladder is to be located when assembled is **0.56 metres**, fig.2.
 - ▲ **DANGER!** Never attempt to climb the scaffolding to get onto the work platform. Always access the work platform using a separate set of steps.
 - Note:** The maximum loading of the stairway work platform when assembled is **150kg**.

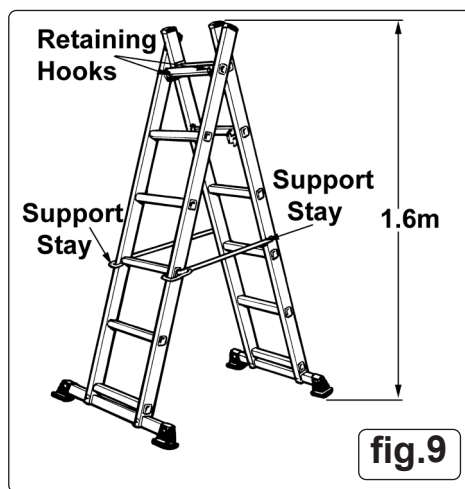
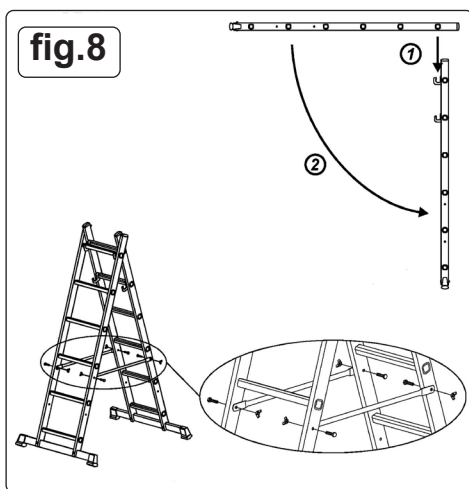
4.3. EXTENSION LADDER



IMPORTANT! ALWAYS position the ladder at an angle between 65° and 75° to the horizontal. The ladder will be within this range if the base is one third of the effective ladder length away from the foot of the wall. Refer to fig.5.

- 4.3.1. Assemble the extension ladder with the two lower rungs of the extension section set in the retaining hooks of the top part of the ground based section. Refer to fig's.6 & 7.
- 4.3.2. The maximum height of the extension ladder is **2.7 metres** (minimum overlap of two rungs), fig.7.

4.4. STEP LADDER



- 4.4.1. Assemble the step ladder by connecting the top rung of one ladder to the retaining hooks located on the top rung of the other ladder. Refer to fig.8.
- 4.4.2. Connect the support stays to each side of both ladders, fig.8.
- 4.4.3. The height of the step ladder when assembled is **1.6 metres**.

5. MAINTENANCE

- 5.1. Repair and maintenance shall be carried out by a competent person.
- 5.2. Ladders should be regularly inspected for damage, loose, non-functioning, missing or worn components.
- 5.3. If any of the about faults are noticed the ladder should NOT be used.

6. STORAGE

- 6.1. The ladder should be stored away from exposure to dampness, excessive heat or exposure to the elements.
- 6.2. Ladders should be stored in a position which helps it to remain straight, where it cannot be damaged, caused an obstruction or trip hazard and secured where it cannot be easily used for criminal purposes.



ENVIRONMENT PROTECTION

Recycle unwanted materials instead of disposing of them as waste. All tools, accessories and packaging should be sorted, taken to a recycling centre and disposed of in a manner which is compatible with the environment. When the product becomes completely unserviceable and requires disposal, drain any fluids (if applicable) into approved containers and dispose of the product and fluids according to local regulations.

Note: It is our policy to continually improve products and as such we reserve the right to alter data, specifications and component parts without prior notice.

Important: No Liability is accepted for incorrect use of this product.

Warranty: Guarantee is 12 months from purchase date, proof of which is required for any claim.

Sealey Group, Kempson Way, Suffolk Business Park, Bury St Edmunds, Suffolk. IP32 7AR

01284 757500

01284 703534

sales@sealey.co.uk

www.sealey.co.uk